



Technical Data Sheet

DIP FEMALE FOR PCB

68 Position Board Connector

LHM-51DIP6801PCB-8

Key Features

- Frequency Range from DC to 70 GHz
- Voltage Rating 30 Volts AC (r.m.s.)
- Impedance 70 Ohms

Environmental Specifications

- Temperature Range : -40 deg C ~ 55 deg C

Compliance Certification

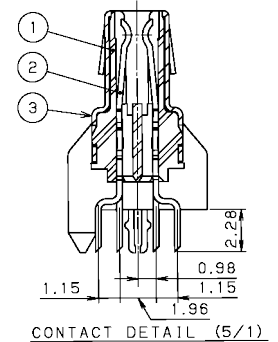
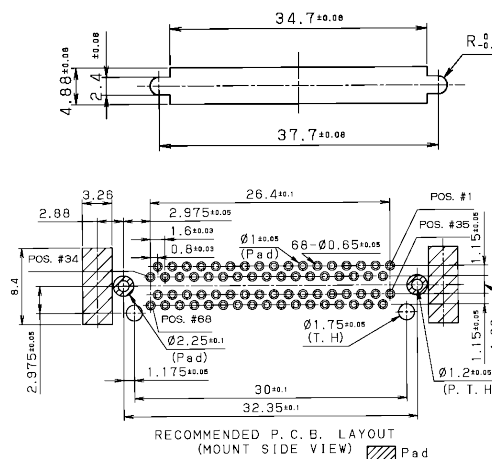
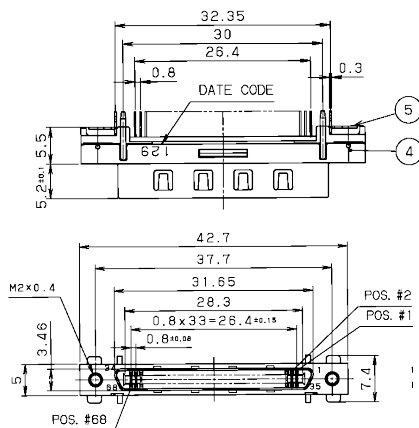
- RoHs Compliant

Electrical Specifications

Parameter	Specification
Impedance	70 Ohms
Current Rating	0.3 amp DC max per contact
Dielectric Withstanding Voltage	250 Vrms
Voltage Rating	30 Volts AC (r.m.s.)

Mechanical Specifications

Parameter	Specification
Total Length	3.46 mm
Weight	425g
Center Conductor	Phosphor Bronze Gold Plated
Body Material	Steel Nickel Plating
Insulator	PA9T
Connector Type	DIP Female For PCB 68 Position Board Connector
Durability	5,000 Cycle Min



RECOMMENDED P. C. B. LAYOUT (MOUNT SIDE VIEW) Pad